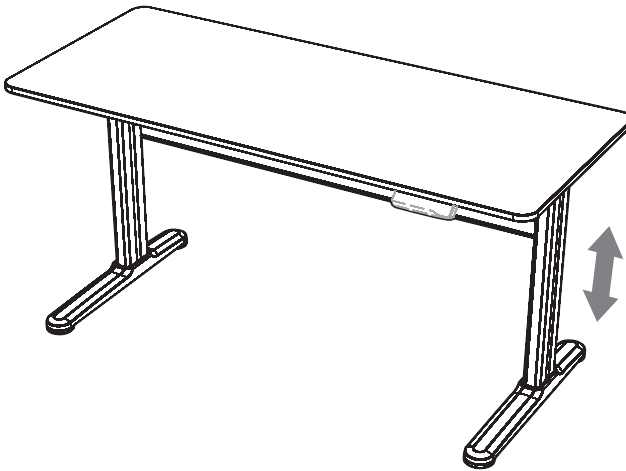


Black Electric Desk

Instruction Manual



SKU: DESK-E155TB



Scan the QR code with your mobile device or follow the link for helpful videos and specifications related to this product.

<https://vivo-us.com/products/desk-e155tb>

GET IN TOUCH | Monday-Friday from 7:00am-7:00pm CST



help@vivo-us.com



www.vivo-us.com
Chat live with an agent!



309-278-5303



WARNING!

If you do not understand these directions, or if you have any doubts about the safety of the installation, please call a qualified technician. Check carefully to make sure there are no missing or defective parts. Improper installation may cause damage or serious injury. Do not use this product for any purpose that is not explicitly specified in this manual and do not exceed weight capacity. We cannot be liable for damage or injury caused by improper mounting, incorrect assembly, or inappropriate use.

ELECTRICAL SAFETY INSTRUCTIONS

THIS PRODUCT IS POWERED BY ELECTRICITY. IN ORDER TO AVOID BURNS, FIRE AND ELECTRIC SHOCK, PLEASE READ THE FOLLOWING INSTRUCTIONS CAREFULLY.

- DO NOT CLEAN PRODUCT WHILE POWER IS CONNECTED.
- DO NOT DISASSEMBLE OR REPLACE COMPONENTS WHILE POWER IS CONNECTED.
- NEVER OPERATE THE SYSTEM WITH A DAMAGED CORD OR PLUG. PLEASE CONTACT YOUR SELLER TO REPLACE DAMAGED PARTS.
- NEVER OPERATE SYSTEM IN DAMP ENVIRONMENTS OR IF ANY ELECTRICAL COMPONENTS HAVE MADE CONTACT WITH LIQUIDS.
- ALTERATIONS OF THE GIVEN POWER UNIT ARE NOT ALLOWED.
- OUTDOOR USE IS PROHIBITED.

WARNING: CHOKING HAZARD

SMALL PARTS - NOT FOR CHILDREN UNDER 3 YEARS. ADULT SUPERVISION IS REQUIRED.

PACKAGE CONTENTS



A (x1)
Drive Rod



B (x1)
Motor



C (x2)
Lifting Column



D (x1)
Desktop



E (x1)
Sync Rod



F (x1)
Upper Crossbar



G (x1)
Adapter Holder



H (x1)
AC Adapter



I (x1)
Crossbar



J (x1)
Power Cord



K (x1)
Controller



S-A (x4)
M8x10 Hex
Head Screw



S-B (x4)
M5x60 Hex
Head Screw



S-C (x6)
M6x35 Philips
Head Screw



S-D (x5)
ST3.5x13 Philip
Head Screw



S-E (x4)
M5x8 Philips
Head Screw



S-F (x6)
Washer



S-G (x3)
Cable Clip



S-H (x9)
Silicone Pad



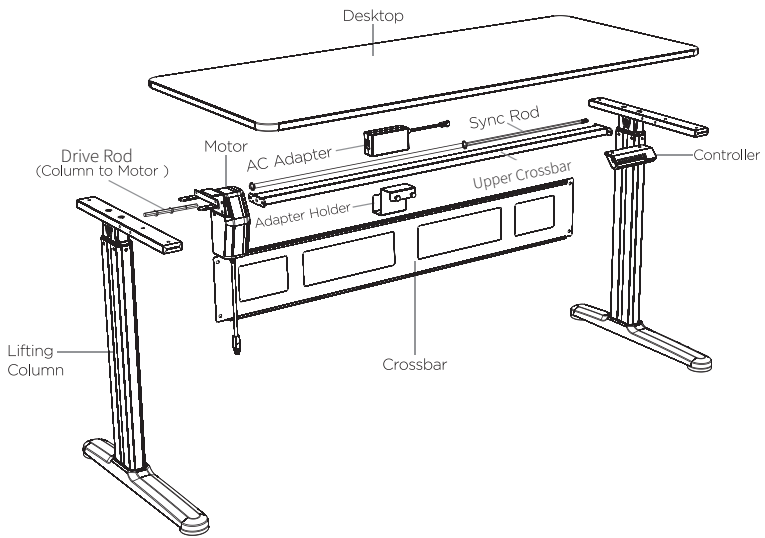
S-I (x1)
4mm Allen
Wrench



S-J (x1)
5mm Allen
Wrench



S-K (x1)
8mm Allen
Wrench



⚠ WARNING

PINCH POINT

DO NOT place hands on or near support bars. Moving parts can crush and cut. Pinch points are created during lifting and lowering the worksurface. Failure to follow these instructions may result in serious personal injury.



TOOLS NEEDED



Phillips
Screwdriver



Level



Drill

DO NOT EXCEED WEIGHT CAPACITY.

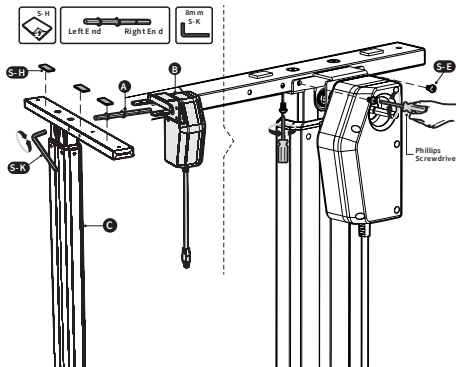
Failure to do so may result in serious injury.



ASSEMBLY STEPS

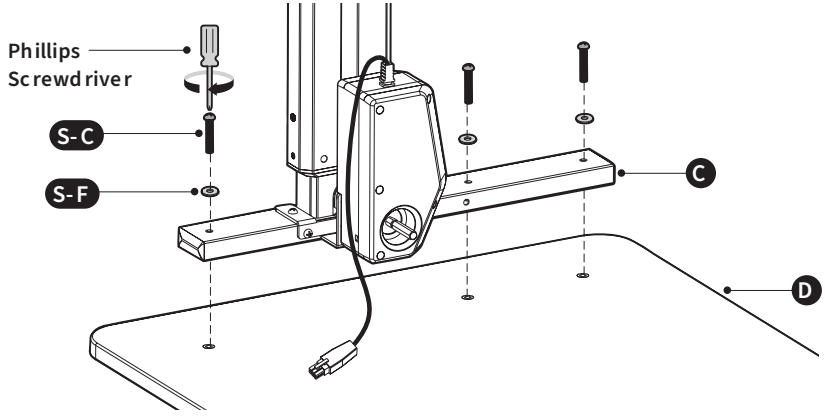
STEP 1

Insert the left (short) end of the drive rod **(A)** into the right side of a lifting column **(C)**. Slide the motor **(B)** onto the right (long) end of the drive rod, using the 8mm Allen wrench **(S-K)** to align the sockets if needed, and secure to the column using the M5x8 Phillips head screws **(S-E)** with a Phillips screwdriver. Apply x3 silicone pads **(S-H)** evenly to the top bar of each lifting column.



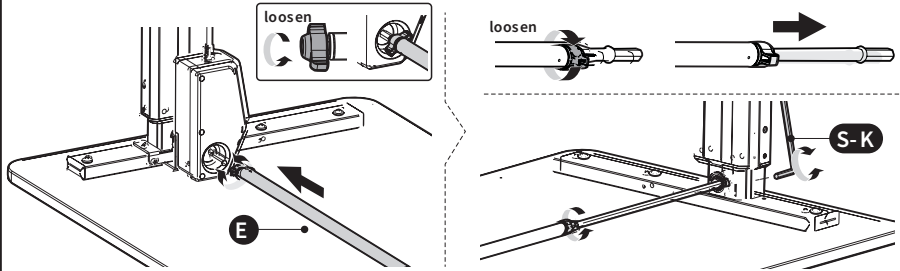
STEP 2

Place the desktop (D) upside down on a flat surface. Assemble the lifting columns (C) to the desktop using x6 M6x35 Phillips head screws (S-C) with washers (S-F) and tighten with a screwdriver.



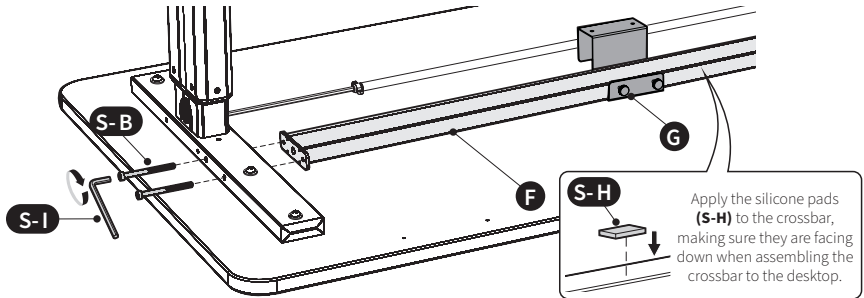
STEP 3

Loosen the knobs on the sync rod (E) and slide the socket end onto the drive rod. While holding the sync rod with one hand, extend the hex shaft into the non-motorized leg, using the 8mm Allen wrench (S-K) to align the socket if needed. Tighten both knobs.



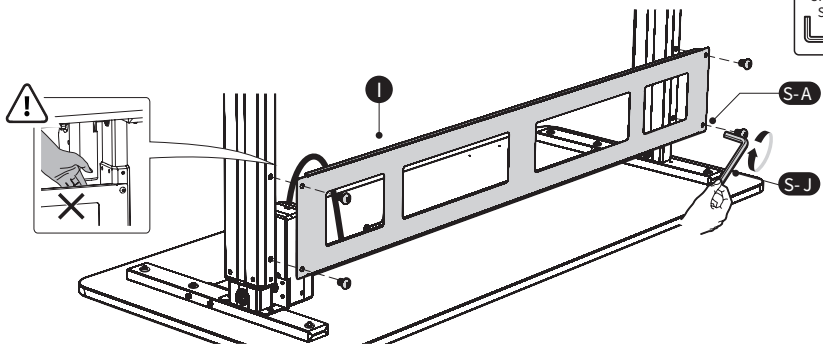
STEP 4

Attach the adapter holder (**G**) and x3 silicon pads to the upper crossbar (**F**). Mount the upper crossbar to the lifting columns using M5x60 hex head screws (**S-B**) and tighten using the 4mm Allen wrench (**S-I**).



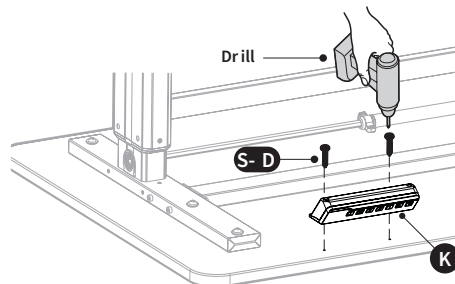
STEP 5

Assemble the crossbar (**I**) to the back of the lifting columns using M8x10 hex head screws (**S-A**) and tighten with the 5mm Allen wrench (**S-J**).



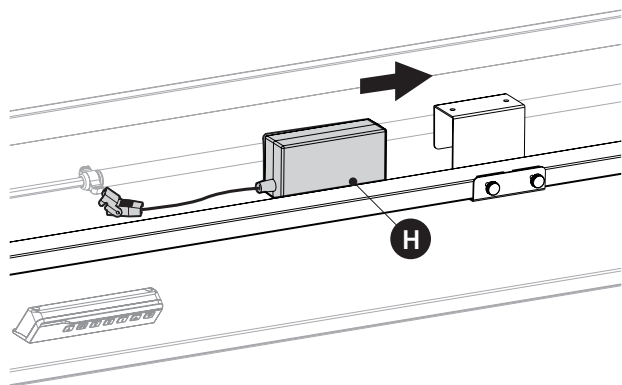
STEP 6

Mount the controller (**K**) to the underside of the desktop using ST3.5x13 screws (**S-D**) and tighten with a screwdriver or drill.



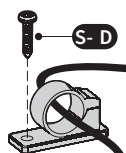
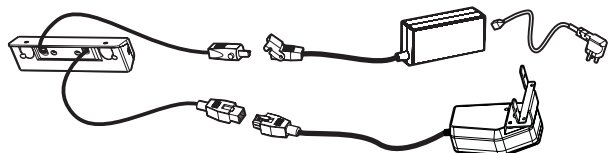
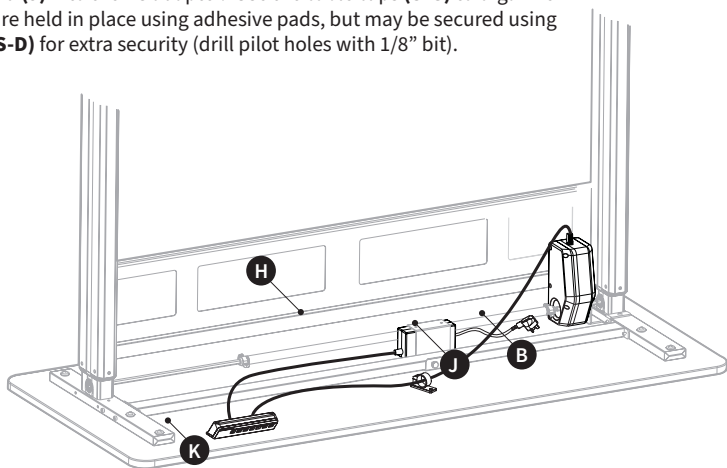
STEP 7

Slide the AC adapter (**H**) into the adapter holder, making sure the connector cable is on the same side as the controller.



STEP 8

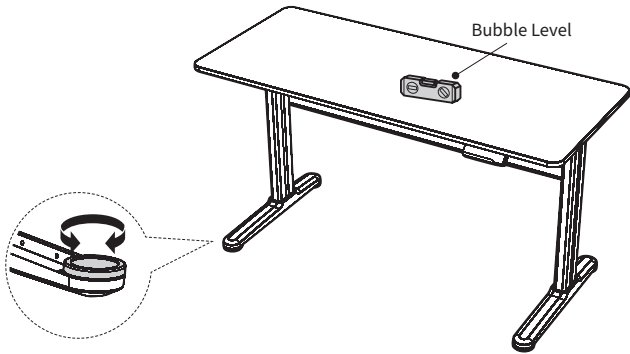
Connect the AC adapter to the controller, then connect the controller to the motor. Plug the power cord (**J**) into the AC adapter. Use the cable clips (**S-G**) to organize the cables. Clips are held in place using adhesive pads, but may be secured using ST3.5x13 screws (**S-D**) for extra security (drill pilot holes with 1/8" bit).



STEP 9

Carefully flip the assembled desk right side up and plug the power cord into an AC electrical outlet. If necessary, adjust foot pads to level the desk.

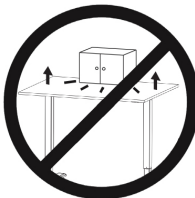
The desk is now ready for use. Please refer to the Controller User Guide for operational instructions.



CAUTION!



Do not exceed desk weight limit.



Keep area of vertical motion free of obstacles.



Keep weight on desk balanced for correct operation and longer life of components.



Leave enough slack in cables to allow for full range of vertical motion.

Failure to follow these instructions may result in property damage and/or personal injury.



Open **Monday - Friday 7:00am - 7:00pm** CST,
our dedicated support team can offer immediate assistance with rapid response times. If any parts are received damaged or defective, please contact us. We are happy to replace parts to ensure you have a fully functioning product.


 help@vivo-us.com

AVG. RESPONSE TIME (*within office hrs*): **1HR 8M**

- 23% within < 15m
- 38% within < 30m
- 61% within < 1hr
- 83% within < 2hr
- 92% within < 3hr

 www.vivo-us.com
Chat live with an agent!

AVG. RESOLUTION TIME (*within office hrs*): **< 15 M**

 309-278-5303

AVG. RESOLUTION TIME (*within office hrs*): **5M 4S**